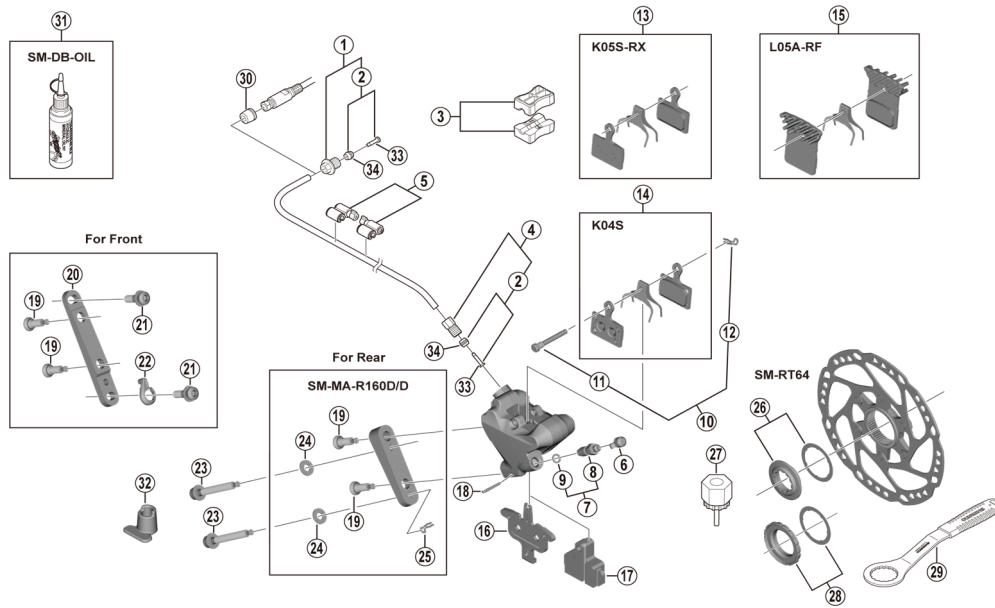


**TIAGRA Disc Brake**  
**BR-4770** Brake Caliper  
**SM-RT64** Disc Rotor

**SM-BH90-JK-SSR** Brake Hose  
**SM-BH90-JK-SS** Brake Hose



ITEM NO.	SHIMANO CODE NO.	DESCRIPTION
1	Y8RD98010	Flange flare nut unit (M9/black)
2	Y8JA98020	Olive and connector insert
3	Y8H198030	TL-BH61 Shimano original tool (2 pcs.)
4	Y8JA98010	Flare nut unit (M8/black)
5	Y83098040	SM-HANG Hose supporter A and B
6	Y8B214000	Bleed nipple cap
7	Y8CL98050	Bleed nipple and seal ring
8	Y8CL24200	Bleed nipple
9	Y8B511001	O-ring for bleed nipple
10	Y2EN98010	Pad axle and snap retainer
11	Y2EN03000	Pad axle
12	Y8J716000	Snap retainer
*	EBPK05SRXA Y2GM98030	K05S-RX Resin pad and spring (pair)
*	IBPK04SMXA Y8N398020	K04S Metal pad and spring (pair)
*	EBPL05ARFA Y2EM98010	L05A-RF Resin pad with fin and spring (pair)
*	EBPL05ARFBS Y2EM98011	L05A-RF Resin pad with fin and spring (25 pairs)
16	Y8N218000	Pad spacer
17	Y8N219000	Bleeding spacer
18	Y8N207000	Screw fixing pin
19	Y8N206000	Caliper fixing screw B
20	Y8N230000	Front caliper mount bracket
21	Y8N204000	Caliper fixing screw A
22	Y8N205000	Snap ring
23	Y8N208000	Caliper fixing screw C for 10 mm rear mount thickness
	Y8N208050	Caliper fixing screw C for 15 mm rear mount thickness
	Y8N208010	Caliper fixing screw C for 20 mm rear mount thickness
	Y8N208020	Caliper fixing screw C for 25 mm rear mount thickness
	Y8N208030	Caliper fixing screw C for 30 mm rear mount thickness
	Y8N208040	Caliper fixing screw C for 35 mm rear mount thickness
24	Y8NU02000	Washer for R160 adapter
25	Y8NU03000	Snap retainer
26	Y8KU98010	Lock ring (black) and washer
27	Y12009230	TL-LR15 Lock ring removal tool
28	Y24698030	Lock ring and washer (external spline type)
29	Y13098000	TL-FC36 Lock ring removal tool
30	Y8H802000	Hose cover for easy hose joint system, not used with easy hose joint direct system
31	Y83998020	Mineral oil (100 ml)
	Y83998030	Mineral oil (500 ml)
32	Y8N221000	Screw length selector
33	Y8JA98026	Connecting insert (100 pcs.)
34	Y8H298047	Olive (100 pcs.)

Jul.-2022-4610D

© Shimano Inc. I

Specifications are subject to change without notice.

**SHIMANO**